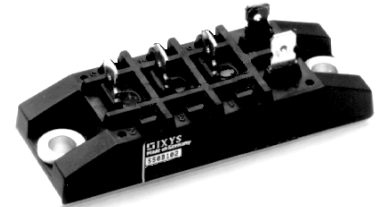
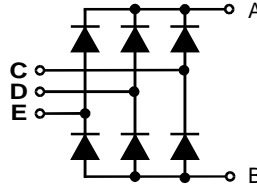


Three Phase Rectifier Bridge

$I_{dAV} = 100 \text{ A}$
 $V_{RRM} = 800-1600 \text{ V}$

Preliminary data

V_{RSM} V	V_{RRM} V	Types
800	800	VUO 100-08NO7
1200	1200	VUO 100-12NO7
1400	1400	VUO 100-14NO7
1600	1600	VUO 100-16NO7



Symbol	Test Conditions	Maximum Ratings
I_{dAV} ①	$T_C = 100^\circ\text{C}$, module	100 A
I_{FSM}	$T_{VJ} = 45^\circ\text{C}$; $V_R = 0$	t = 10 ms (50 Hz), sine 1000 A
		t = 8.3 ms (60 Hz), sine 1100 A
	$T_{VJ} = T_{VJM}$ $V_R = 0$	t = 10 ms (50 Hz), sine 700 A
		t = 8.3 ms (60 Hz), sine 750 A
I^2t	$T_{VJ} = 45^\circ\text{C}$ $V_R = 0$	t = 10 ms (50 Hz), sine 5000 A ² s
		t = 8.3 ms (60 Hz), sine 5020 A ² s
	$T_{VJ} = T_{VJM}$ $V_R = 0$	t = 10 ms (50 Hz), sine 2450 A ² s
		t = 8.3 ms (60 Hz), sine 2330 A ² s
T_{VJ}		-40...+150 °C
T_{VJM}		150 °C
T_{stg}		-40...+125 °C
V_{ISOL}	50/60 Hz, RMS $I_{ISOL} \leq 1 \text{ mA}$	t = 1 min 2500 V~
		t = 1 s 3000 V~
M_d	Mounting torque (M5) (10-32 UNF)	5 ± 15 % Nm
		44 ± 15 % lb.in.
Weight	typ.	110 g

Features

- Package with copper base plate
- Isolation voltage 3000 V~
- Planar passivated chips
- Low forward voltage drop
- ¼" fast-on power terminals

Applications

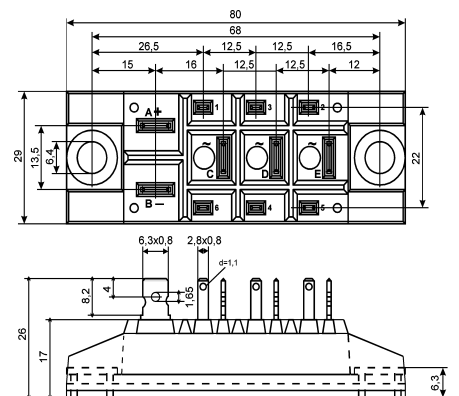
- Supplies for DC power equipment
- Input rectifiers for PWM inverter
- Battery DC power supplies
- Field supply for DC motors

Advantages

- Easy to mount with two screws
- Space and weight savings
- Improved temperature and power cycling capability
- Small and light weight

Symbol	Test Conditions	Characteristic Values
I_R	$V_R = V_{RRM}$; $V_R = V_{RRM}$	$T_{VJ} = 25^\circ\text{C}$ ≤ 0.5 mA
		$T_{VJ} = T_{VJM}$ ≤ 10 mA
V_F	$I_F = 150 \text{ A}$; $T_{VJ} = 25^\circ\text{C}$	≤ 1.4 V
V_{T0}	For power-loss calculations only	0.8 V
r_T		5 mΩ
R_{thJC}	per diode; DC current	per module 1.12 K/W
		per module 0.28 K/W
R_{thJH}	per diode; DC current	per module 1.5 K/W
		per module 0.375 K/W
d_s	Creeping distance on surface	16.1 mm
d_A	Creepage distance in air	7.5 mm
a	Max. allowable acceleration	50 m/s ²

Dimensions in mm (1 mm = 0.0394")



Data according to IEC 60747 refer to a single diode unless otherwise stated
 ① for resistive load at bridge output. IXYS reserves the right to change limits, test conditions and dimensions.